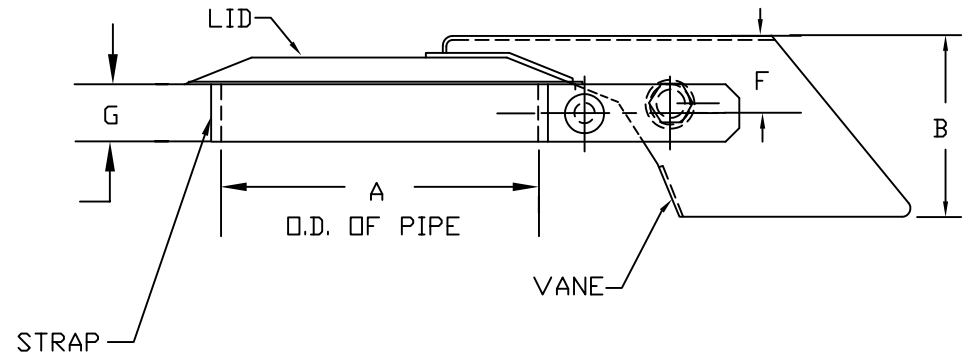
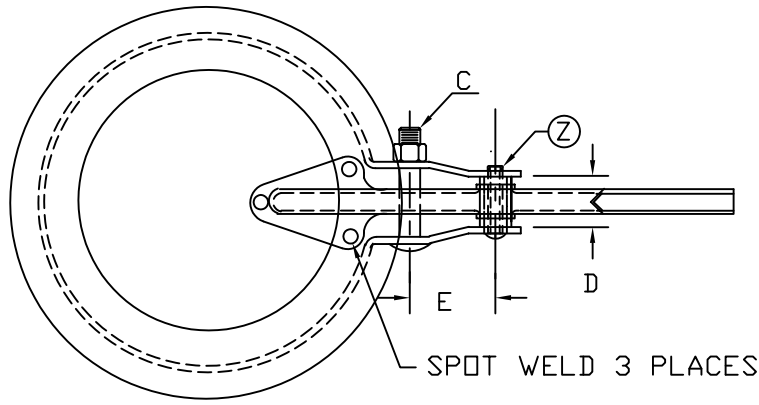


# RAINCAP SPECIFICATIONS



## NOTES:

1. SINGLE BOLT MOUNTING (INSTALLS IN SECONDS)
2. LUBERIZED METAL BUSHING AND BEARING ASSEMBLY (FOR LONG LIFE AND TROUBLE FREE OPERATION).
3. DUAL VANE COUNTERBALANCE ASSEMBLY (RUGGED ANTI-WARP DESIGN)
4. LID ASSEMBLY WELDED TO WITHSTAND HARD USAGE
5. HEAVY DUTY PLATING THRU-OUT
6. VANE ASSEMBLY PRECISION BALANCED TO MEET ENGINE MANUFACTURER'S EXHAUST SPECIFICATIONS

- Ⓩ 3/16 X 1 3/8 RMT  
.625 OD-.375 ID STEEL BUSHING  
.375 OD-.187 ID STEEL BUSHING

## SPECIFICATIONS:

RAINCAPS ARE AVAILABLE TO FIT EXHAUST PIPES WITH OUTSIDE DIAMETERS FROM 1.0" TO 14.0"; OTHER SIZES AVAILABLE UPON REQUEST FOR QUOTE. STANDARD RAINCAPS ARE SUPPLIED WITH ZINC PLATING; BUT HAVE OPTIONAL FINISHES OF POLISHED CHROME, PAINT, OR ETC. STAINLESS STEEL CONSTRUCTION AVAILABLE UPON REQUEST FOR QUOTE.

## CRITICAL DIMENSIONS:

| A        | B     | C              | D   | E     | F   | G   | STRAP / MAT'L        | VANE / MAT'L                  | LID / MAT'L        |
|----------|-------|----------------|-----|-------|-----|-----|----------------------|-------------------------------|--------------------|
| Under 2" | 2     | 1/4-20 x 1-1/2 | 5/8 | 1     | 7/8 | 3/4 | 13 GA. (0.090") HRPO | 16 GA. (0.060") CR            | 18 GA. (0.050") CR |
| 2" & Up  | 2-3/4 | 5/16-18 x 2    | 1   | 1-1/2 | 1   | 7/8 | 11 GA. (0.120") HRPO | 15 GA. (0.071") CRDQAK1008B50 | 18 GA. (0.050") CR |

MPC P/N: FB Series

DWG BY: vkurek

DATE: 01.26.09

**MERCURY PRODUCTS™**

1201 S. Mercury Drive  
Schaumburg, IL 60193  
847-524-4400 www.mercprod.com  
info@mercprod.com

REV. 01.26.09 INITIAL RELEASE

DATE CHANGE